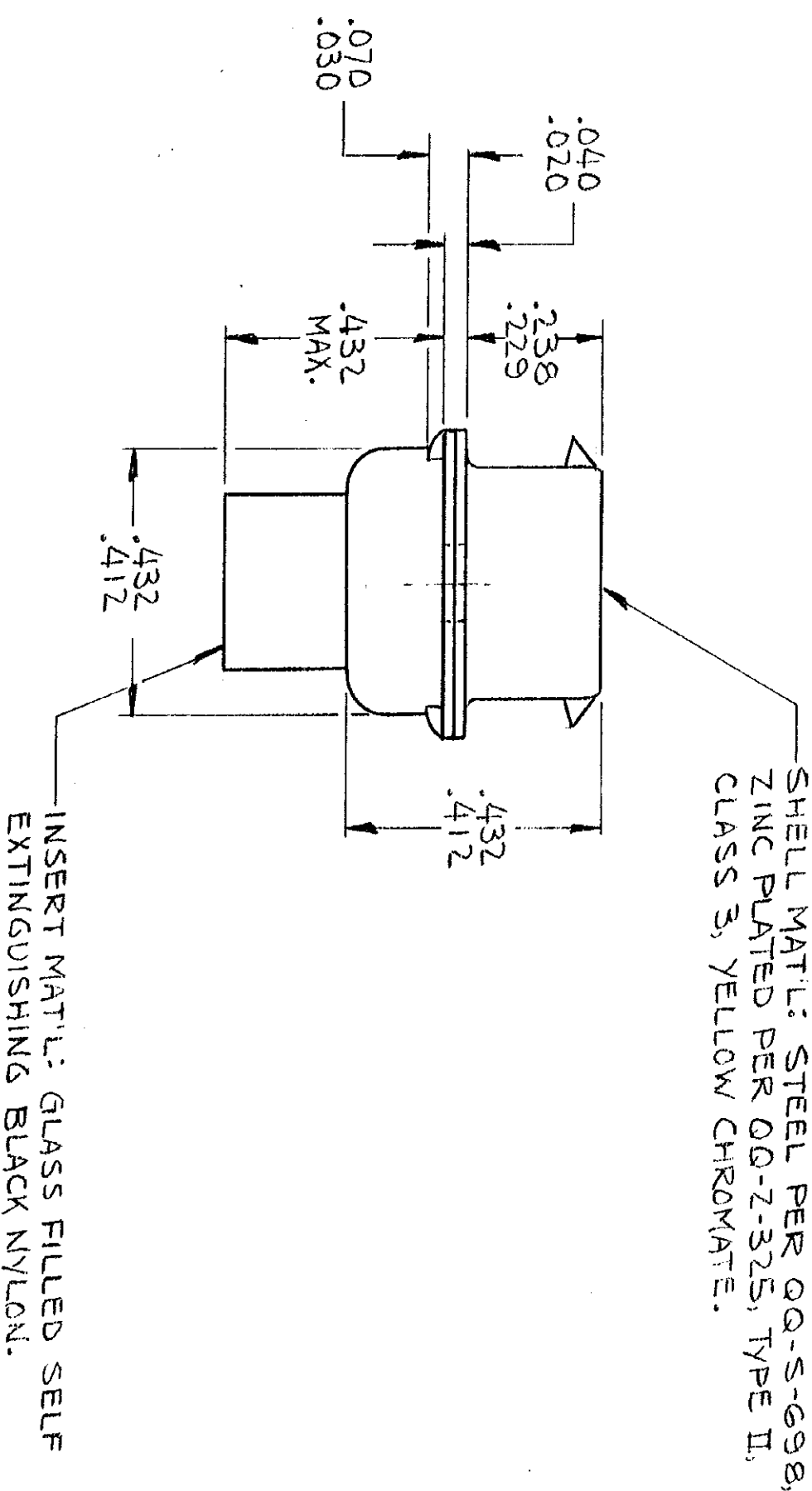
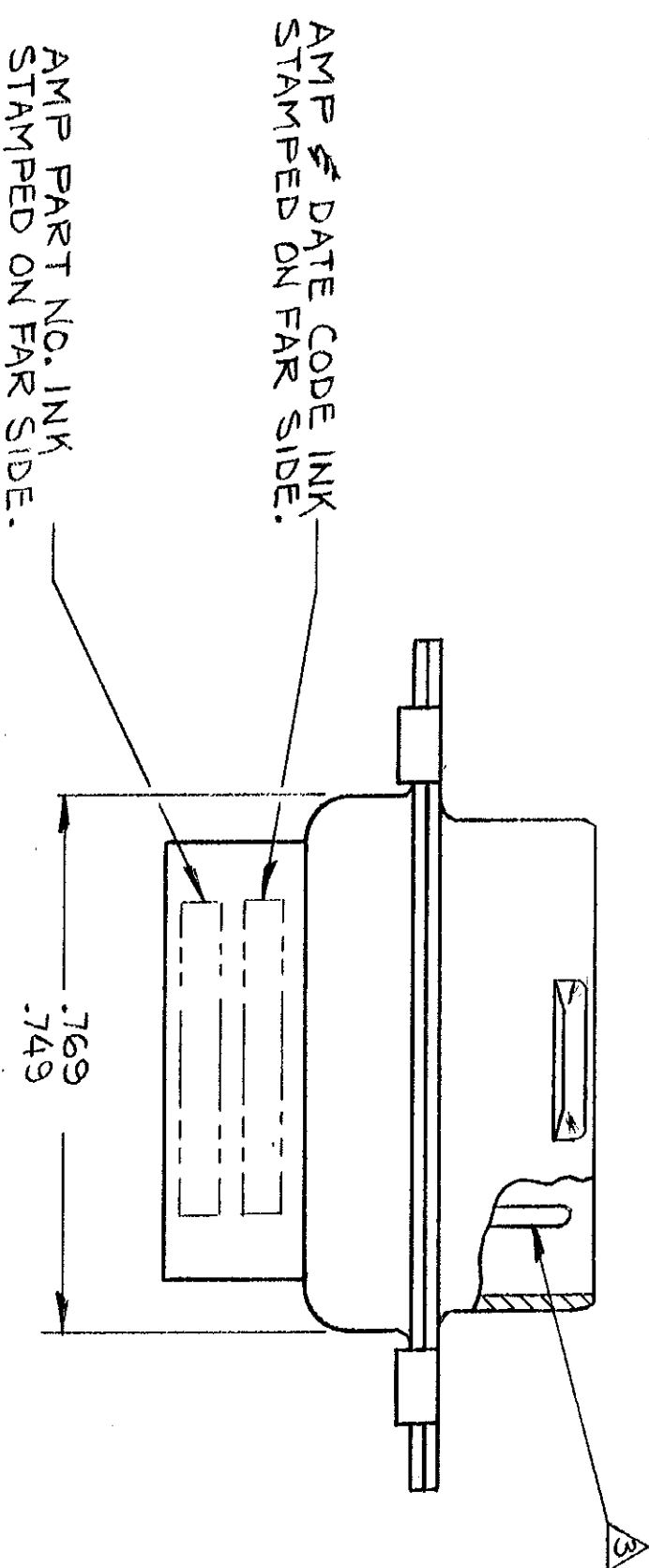
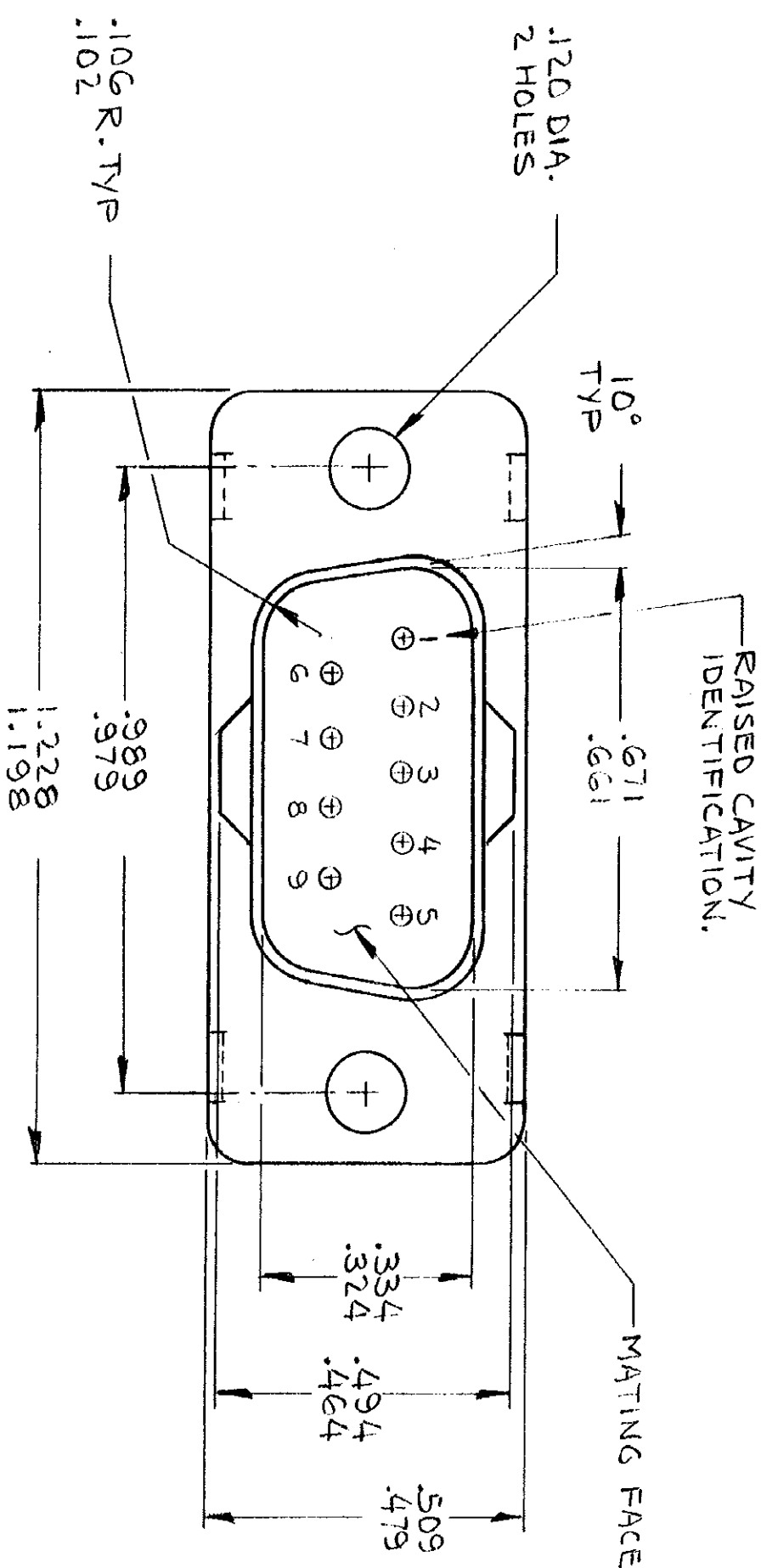


© COPYRIGHT 1979 BY AMP INCORPORATED, HARRISBURG, PA. ALL INTERNATIONAL RIGHTS RESERVED. AMP INCORPORATED PRODUCTS COVERED BY U. S. AND FOREIGN PATENTS AND/OR PATENTS PENDING.

745018-1
OBSOLETE -745018-2

1. AS SHOWN
1. SAME AS -1 EXCEPT:
2. IN KIT FORM, ONE CONNECTOR AND NINE SOLDER CUP CONTACTS PER POLY BAG.

REVISIONS		DATE	APPROVED
P	F/ZONE/LTR	DESCRIPTION	
0		RELEASE	
1		OBSOLETE -2 PER ECU 1430	3/88/CKR/SN



1. THIS PLUG ACCEPTS SIZE 20 PIN CONTACTS AND CONFORMS TO AMP SPEC 108-10020 WHERE APPLICABLE.
2. MAXIMUM WIRE INSULATION RECOMMENDED FOR USE WITH THIS PLUG IS .068 DIA. MAX.
3. CONTACTS ARE SHOWN FOR ILLUSTRATION ONLY AND ARE NOT PART OF CONNECTOR PACKAGE, MUST BE ORDERED SEPARATELY OR IN KIT FORM. FOR USE WITH THIS PLUG.
4. INSERTION/EXTRACTION TOOL AMP P/N 91067-3 IS RECOMMENDED FOR USE WITH THIS PLUG.
5. CONTACT RETENTION TIMES ARE AN INTEGRAL PART OF INSERT.

UNLESS OTHERWISE SPECIFIED DIMENSIONS ARE IN INCHES. TOLERANCES ON: DECIMALS ±.005 ANGLES		CONTRACT NO		PART NO	
MATERIAL		DR		AMP	
SEE CALLOUT		8/7/79		AMP INCORPORATED Harrisburg, Pa.	
SEE CALLOUT		CHK		NAME	
SEE CALLOUT		8/21/79		PLUG CONNECTOR, SIZE J, 9 POSITION, SERIES HDP (SPECIAL)	
FINISH		APPR		SIZE	
SEE CALLOUT		8/28/79		CODE IDENT NO	
SEE CALLOUT		APPR		DRAWING NO	
SEE CALLOUT		8/28/79		745018	
SEE CALLOUT		OTHER APPD		SCALE	
SEE CALLOUT				C 00779	
SEE CALLOUT				SHEET	